

# Namespace Tools (LDAP/UNIX scripts)

*EPICS Meeting – Industrial Exhibition*  
DESY, April 24, 2007

Helge Rickens, DESY / Mks-2



# Overview

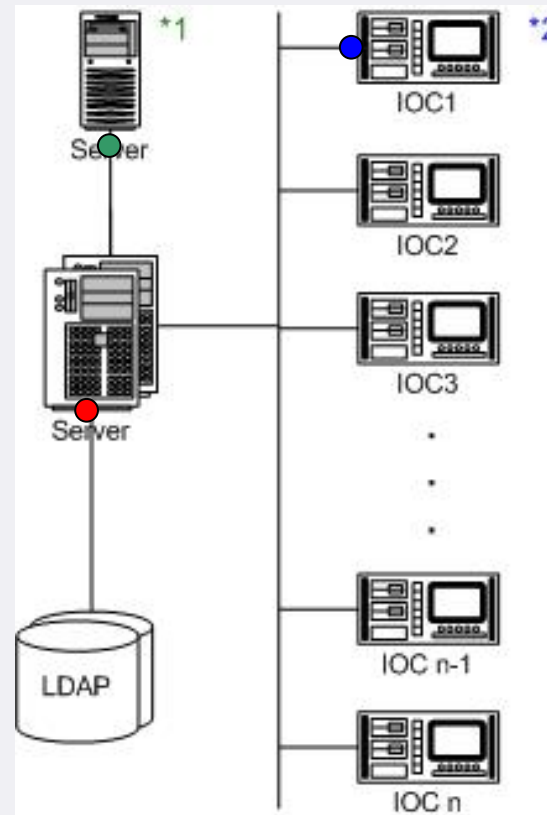
- Fill the LDAP-Tree
- Find the data
  - Namespace Search
  - Namespace Browser
- Outlook
  - New feature add Namespace Search and Browser

# Fill the LDAP-Tree

Per Cron job the server takes the data

- from startup files (old method)<sup>\*1</sup>
- from IOC (new method)<sup>\*2</sup>

and data stored in LDAP.



# Find the data

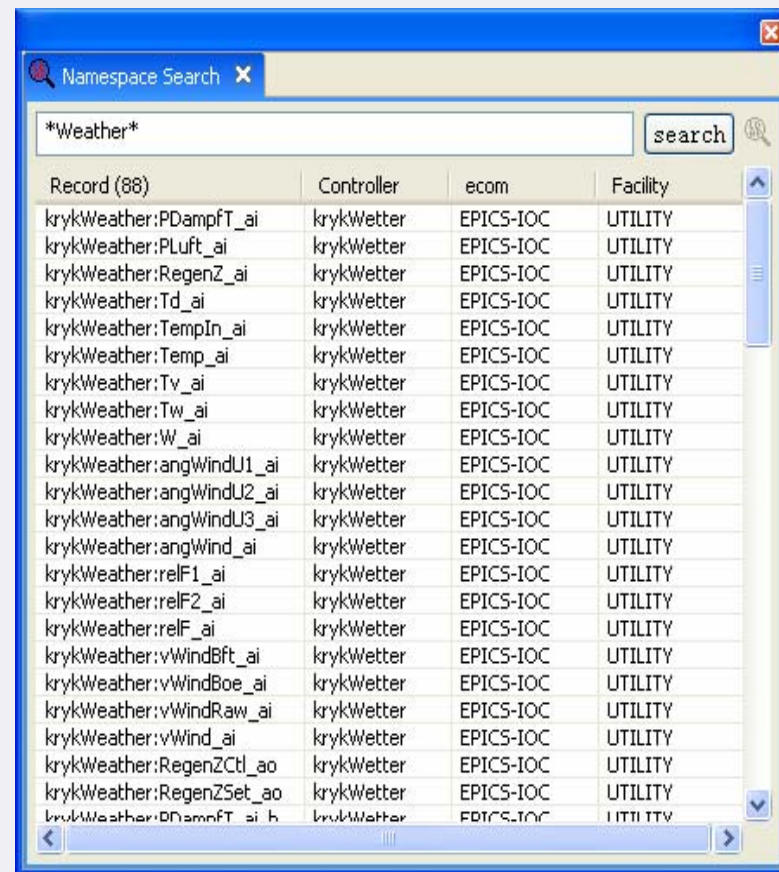
There are two tools to find the data:

- 1.) Namespace Search
- 2.) Namespace Browser

# Namespace Search

With the help of the Namespace Search tool you can find records.

With wildcards you can mask the records you need.

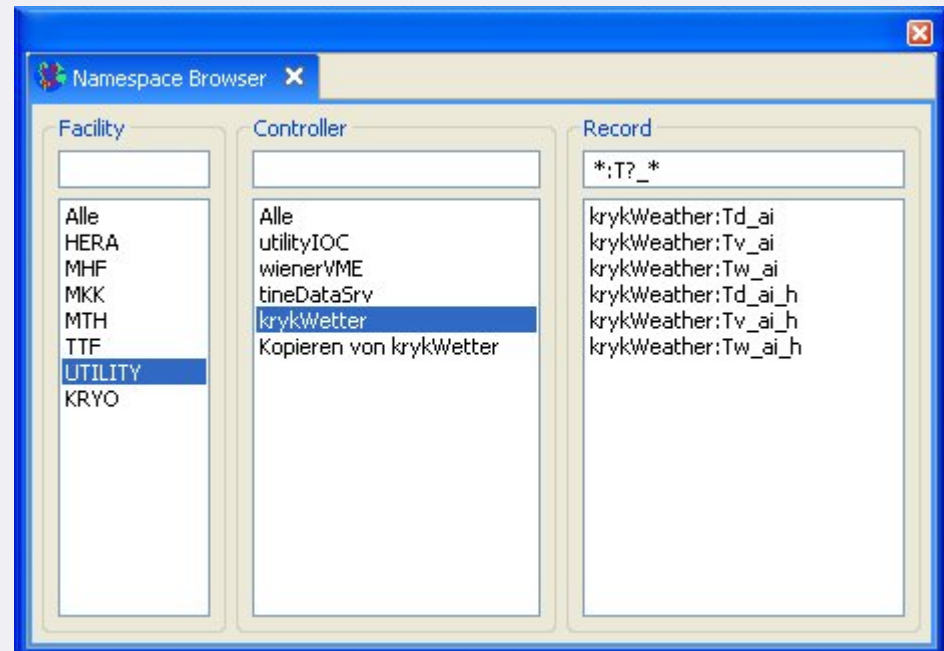


| Record (88)              | Controller | ecom      | Facility |
|--------------------------|------------|-----------|----------|
| krykWeather:PDampfT_ai   | krykWetter | EPICS-IOC | UTILITY  |
| krykWeather:PLuft_ai     | krykWetter | EPICS-IOC | UTILITY  |
| krykWeather:RegenZ_ai    | krykWetter | EPICS-IOC | UTILITY  |
| krykWeather:Td_ai        | krykWetter | EPICS-IOC | UTILITY  |
| krykWeather:TempIn_ai    | krykWetter | EPICS-IOC | UTILITY  |
| krykWeather:Temp_ai      | krykWetter | EPICS-IOC | UTILITY  |
| krykWeather:Tv_ai        | krykWetter | EPICS-IOC | UTILITY  |
| krykWeather:Tw_ai        | krykWetter | EPICS-IOC | UTILITY  |
| krykWeather:W_ai         | krykWetter | EPICS-IOC | UTILITY  |
| krykWeather:angWindU1_ai | krykWetter | EPICS-IOC | UTILITY  |
| krykWeather:angWindU2_ai | krykWetter | EPICS-IOC | UTILITY  |
| krykWeather:angWindU3_ai | krykWetter | EPICS-IOC | UTILITY  |
| krykWeather:angWind_ai   | krykWetter | EPICS-IOC | UTILITY  |
| krykWeather:relF1_ai     | krykWetter | EPICS-IOC | UTILITY  |
| krykWeather:relF2_ai     | krykWetter | EPICS-IOC | UTILITY  |
| krykWeather:relF_ai      | krykWetter | EPICS-IOC | UTILITY  |
| krykWeather:vWindBft_ai  | krykWetter | EPICS-IOC | UTILITY  |
| krykWeather:vWindBoe_ai  | krykWetter | EPICS-IOC | UTILITY  |
| krykWeather:vWindRaw_ai  | krykWetter | EPICS-IOC | UTILITY  |
| krykWeather:vWind_ai     | krykWetter | EPICS-IOC | UTILITY  |
| krykWeather:RegenZCtl_ao | krykWetter | EPICS-IOC | UTILITY  |
| krykWeather:RegenZSet_ao | krykWetter | EPICS-IOC | UTILITY  |
| krykWeather:PDampfT_ai_h | krykWetter | EPICS-IOC | UTILITY  |

# Namespace Browser

All elements of an assortment are shown in a new list.

The list can be restricted through filters.



# Outlook Namespace Tools

## Namespace Search

- The search can be more restricted

## Namespace Search and Browser

- The search can be used as a component for other views

**END**